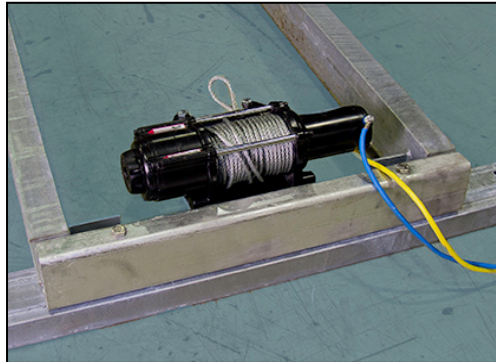


## EasyBoatRoller Accessories

204101 **Rail extension set of EasyBoatRoller, 2,5 m**



204105 **Electric winch** with wireless remote control, incl. fastening plate. 12 V. Pulling force 2040 kg (4499 lb).



204108 **Warn Tabor 8K Electric winch** with wireless remote control (operating range 50 m), incl. fastening plate. 12 V. Pulling force 3630kg (8000 lb).



294107 **Walking platform**, 1 pc. Length 2,5 m. Includes the fastening irons, locking plates and woods.

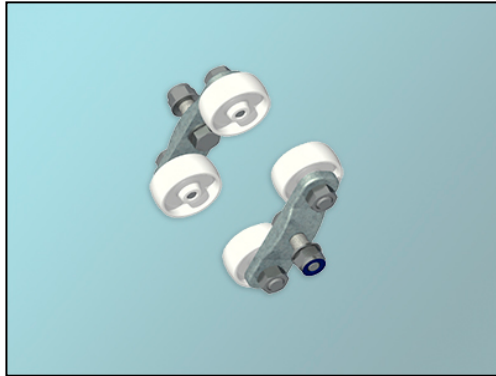
The walking platforms are great especially when EasyBoatRoller is equipped with a hand winch. The boat dock also looks stylish when using the platforms.



## EasyBoatRoller Accessories

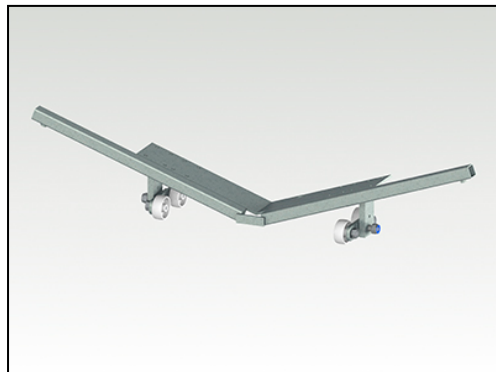
**204102 Double wheels, 2 pcs**

This package is needed when updating VR-700 model to VR-1000.



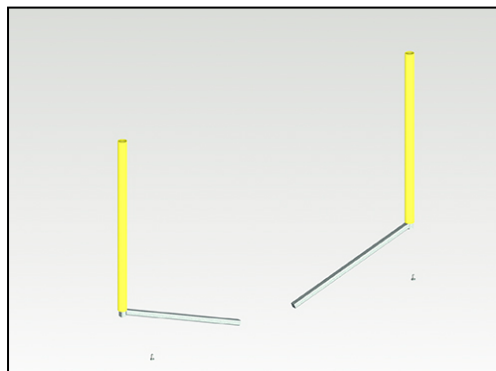
**204112 Axle with two double wheels**

This package is needed when updating VR-1000 model to VR-1500.



**204110 Additional side guides, 2 pcs**

The additional side guides are great for the long boats and especially if the shore is windy. The additional guides will be placed between the front and the rear side guides.



**204113 Higher stairs with 4 steps**

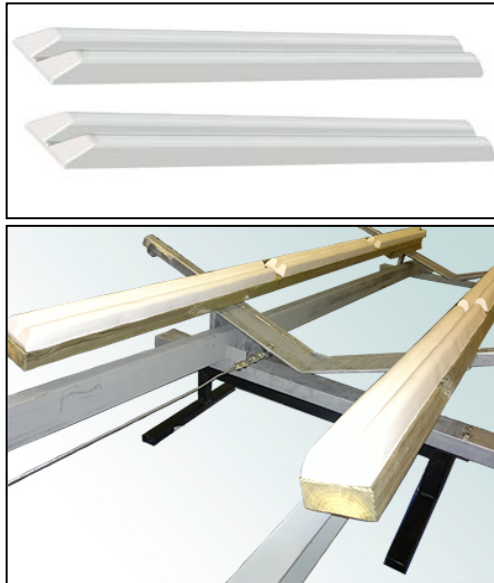
The higher stairs are included in the VR-2500 model. They are also good for the other models e.g. when a bow of the boat is high.



## EasyBoatRoller Accessories

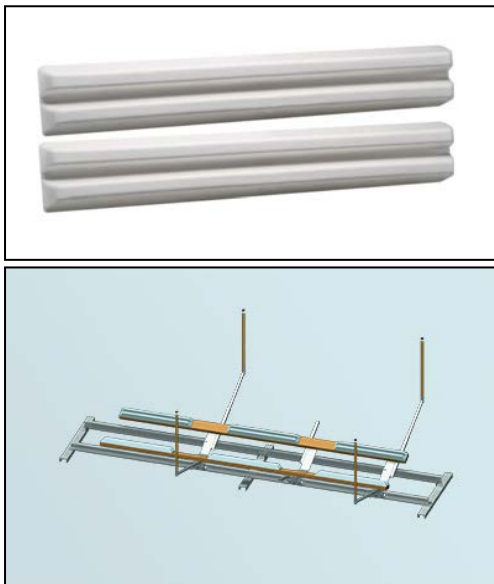
891005 **MF-44 Bumpers of the planks**, 1 pc (for protecting fibreglass and plastic boats). Size 940x85x44 mm.

Bumpers are gentle for a bottom of the boat. It is recommended to use the bumpers for the full length of the planks. It is also possible to halve the bumpers (e.g. to put 2,5 bumpers for one 2,5 m plank).



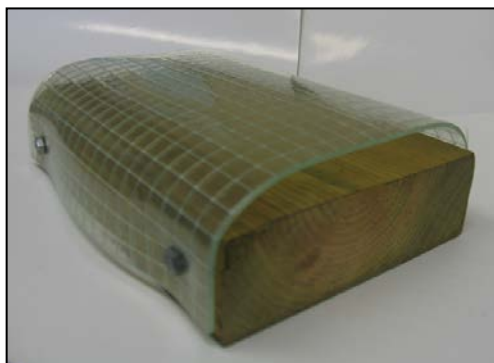
891006 **MF-60 Bumpers of the planks**, 1 pc (for protecting fibreglass and plastic boats). Size 1000x140x60 mm (suitable for the wider planks).

Bumpers are gentle for a bottom of the boat. It is recommended to use the bumpers for the full length of the planks. It is also possible to halve the bumpers (e.g. to put 2,5 bumpers for one 2,5 m plank).



204111 **Plastic cover for the planks**, 1 m (for protecting fibreglass and plastic boats)

The plastic cover is gentle for a bottom of the boat. It is recommended to cover the planks all the way. The plastic cover is a good choice if the bumpers would raise a boat too much especially in a deep shore.



## EasyBoatRoller Accessories

204109 **Wiping brushes**, 2 pcs (suitable for the double wheels only = models VR-1000, VR-1500, VR-2500)

The wiping brushes prevent sand and stones to stay on the rails. The brushes move along the sledge wiping the rails clean.

