

PEREBO floating body system PT06

Centerpiece

Technical data PT06 centerpiece

dimensions:

L= 82,5 cm

B= 90 cm

H= 70 cm

wall thickness: 8 mm

weight: ca. 29 kg/piece

lifting power:

202kg at half immersion depth (35cm)

237kg at 40cm immersion depth

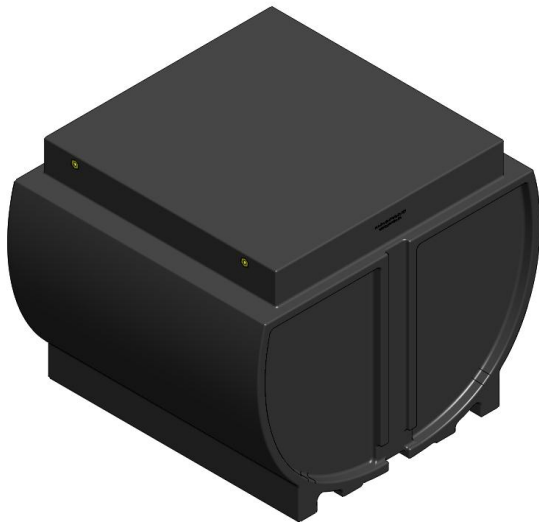
(dead weight not included in the calculation)

material: synthetic material (polyethylene)

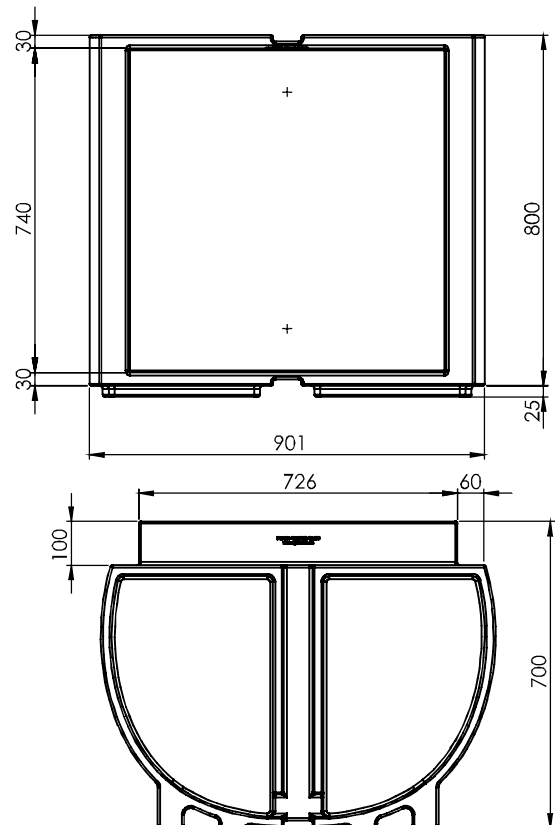
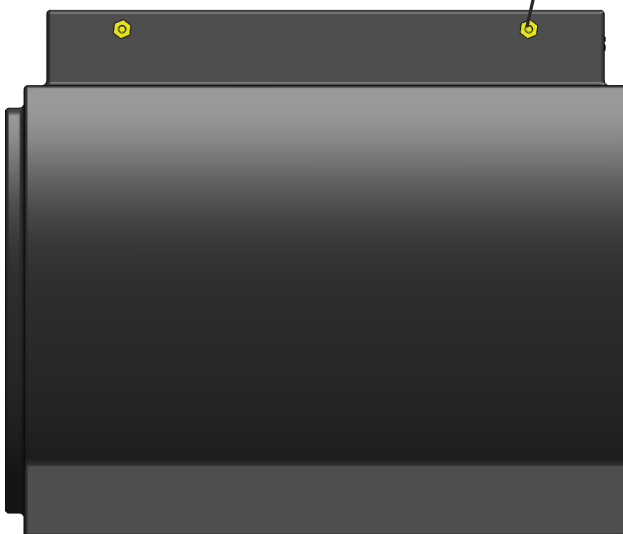
integrated screw thread: 6 pieces (M10)

standard colour: black

(other colors available at extra cost)



integrated screw
thread (M10)



Advice:

It can come to small deviations of the dimensions in the production.