

PEREBO floating body system PT06

Top



Technical data PT06 top

dimensions:

L= 103 cm

B= 90 cm

H= 70 cm

wall thickness: 8 mm

weight: ca. 27 kg/piece

lifting power:

165kg at half immersion depth (35cm)

196kg at 40cm immersion depth

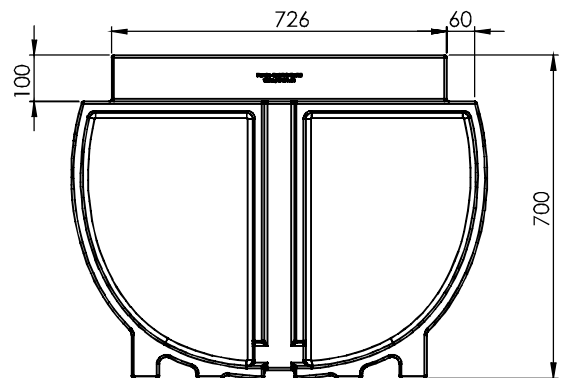
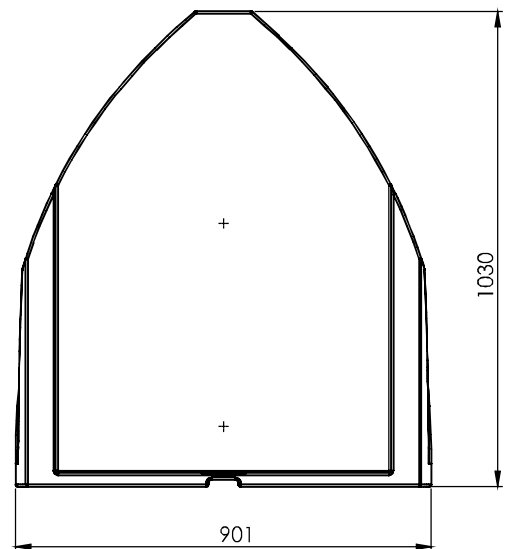
(dead weight not included in the calculation)

material: synthetic material (polyethylene)

integrated screw thread: 6 pieces (M10)

standard colour: black
(other colors available at extra cost)

integrated screw
thread (M10)



Advice:

It can come to small deviations of the dimensions in the production.